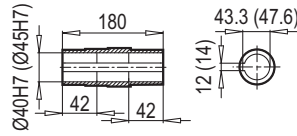
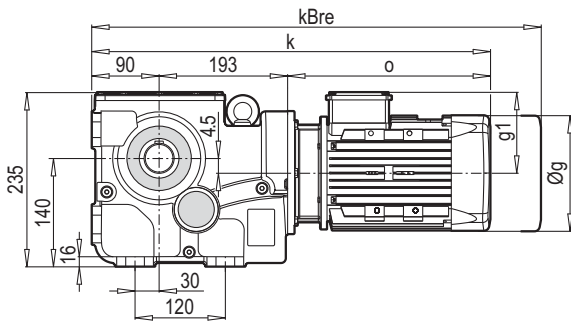
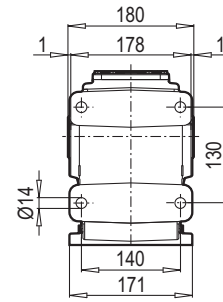


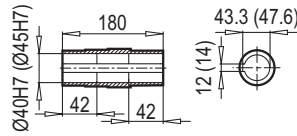
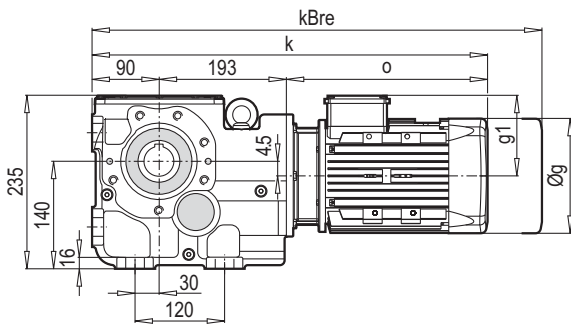
**K - 40390**



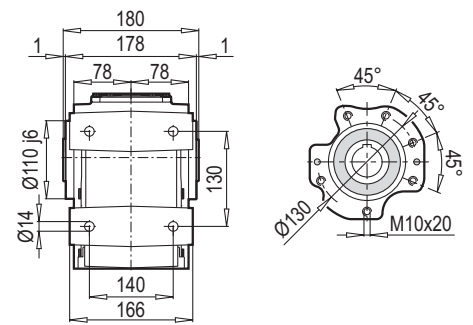
**DA**



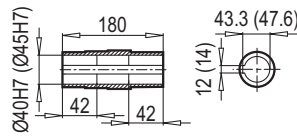
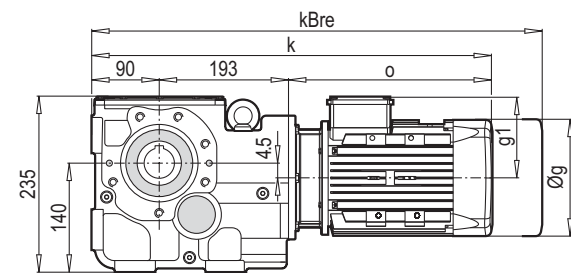
**K - 40390**



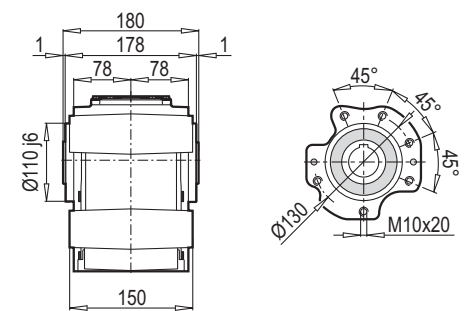
**DA / B14**



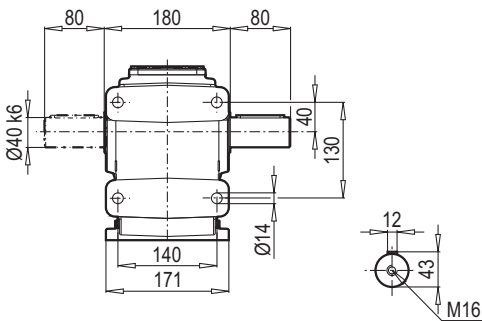
**K - 40390**



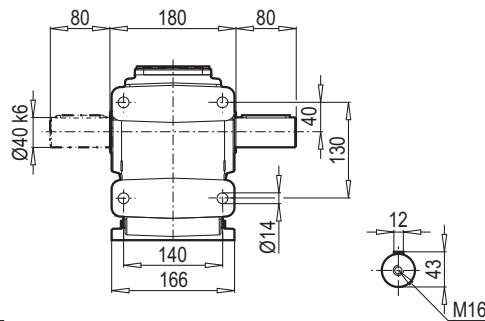
**DG / B14**



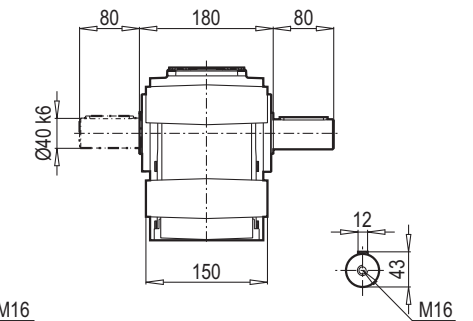
**TMA - ÇMA**



**TMA - ÇMA / B14**

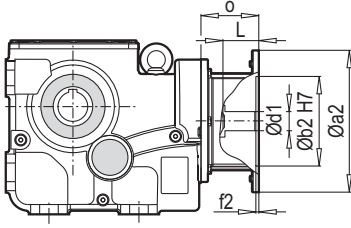


**TMG - ÇMG / B14**

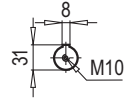
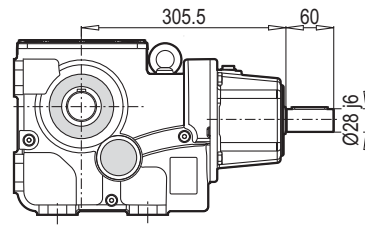


	80M	90S	90L	100L	112M	132S	132M		
<b>g</b>	159	193	193	217	232	279	279		
<b>g1</b>	127	151	151	160	168	182	182		
<b>k</b>	530	576	596	619	672	679	714		
<b>kBre</b>	592	649	669	700	752	787	855		
<b>o</b>	247	293	313	336	389	396	431		

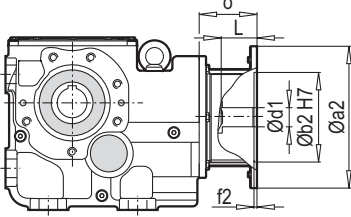
**K - PAM**



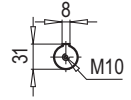
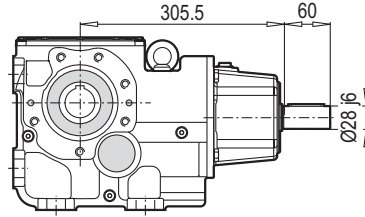
**K - W**



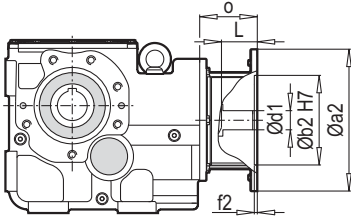
**K - PAM**



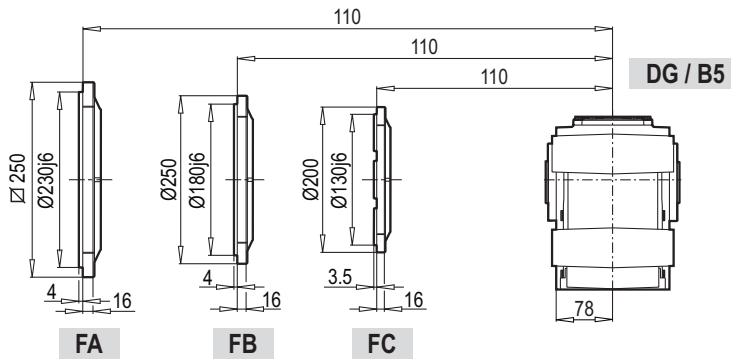
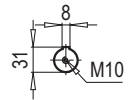
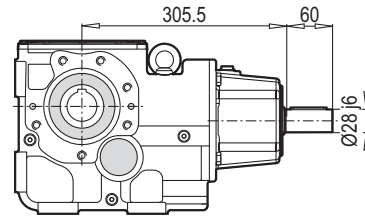
**K - W**



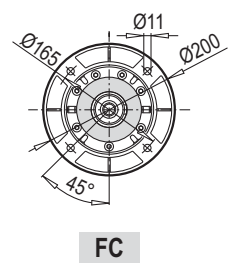
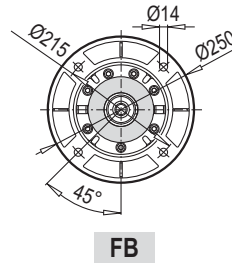
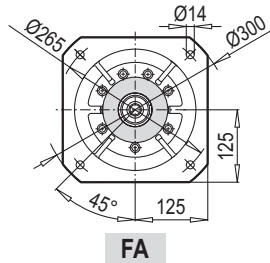
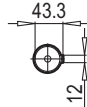
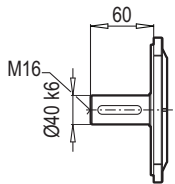
**K - PAM**



**K - W**



**TMG / B5**



	80	90	100	112	132			
<b>a2</b>	200	200	250	250	300			
<b>b2</b>	130	130	180	180	230			
<b>d1</b>	19	24	28	28	38			
<b>f2</b>	5	5	5.5	5.5	5.5			
<b>L</b>	42	52	62	62	82			
<b>u1</b>	6	8	8	8	10			
<b>t1</b>	21.8	27.3	31.3	31.3	41.3			
<b>o</b>	70	70	85	85	110			