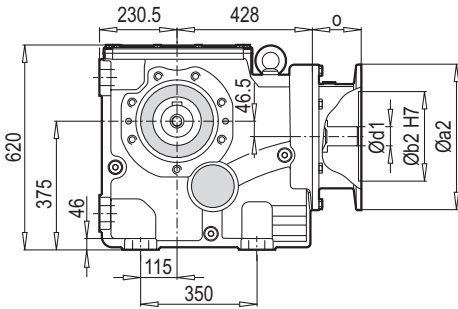
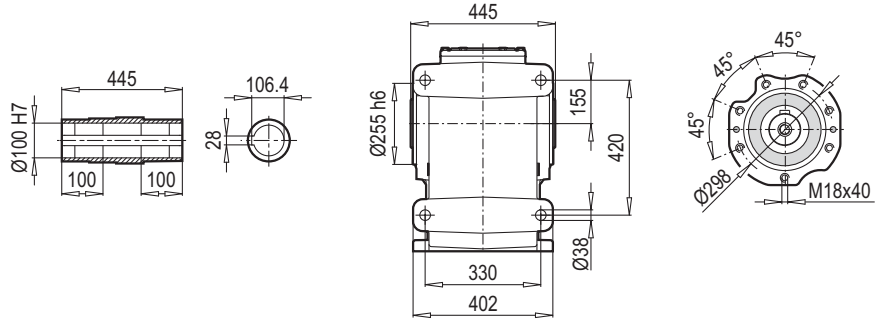


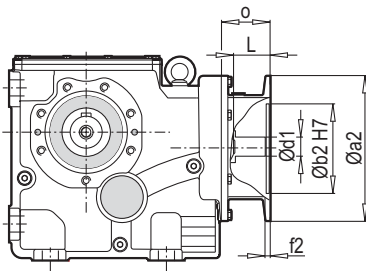
**K - 100390**



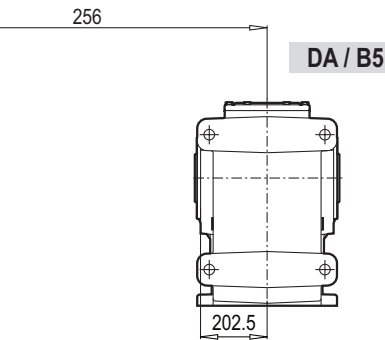
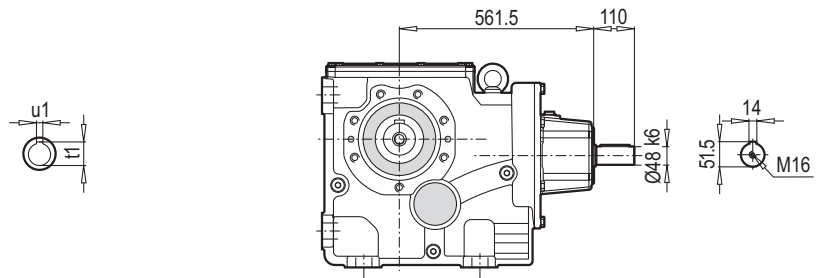
**DA / B14**



**K - PAM**

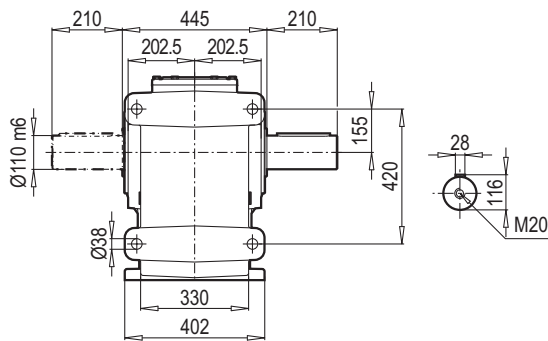


**K - W**

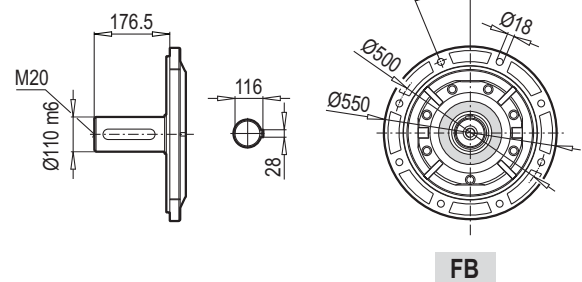


**FB**

**TMA - ÇMA / B14**



**TMA / B5**



**FB**

	160	180	200	225	250	280		
<b>a2</b>	350	350	400	450	550	550		
<b>b2</b>	250	250	300	350	450	450		
<b>d1</b>	42	48	55	60	65	75		
<b>f2</b>	7	7	7	7	7	7		
<b>L</b>	112	112	112	142	142	142		
<b>u1</b>	12	14	16	18	18	20		
<b>t1</b>	45.3	51.8	59.3	64.4	69.4	79.9		
<b>o</b>	109	109	146	146	175	175		