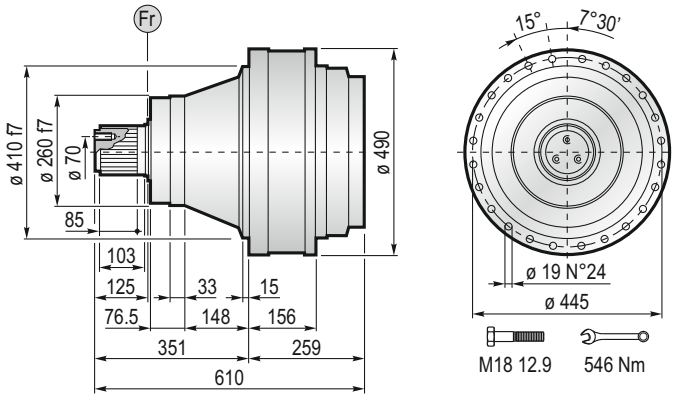
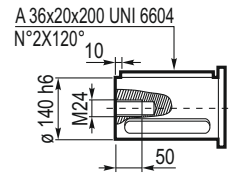
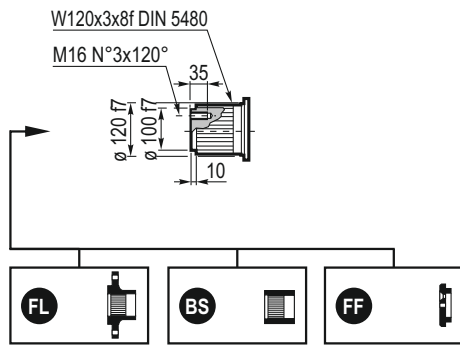
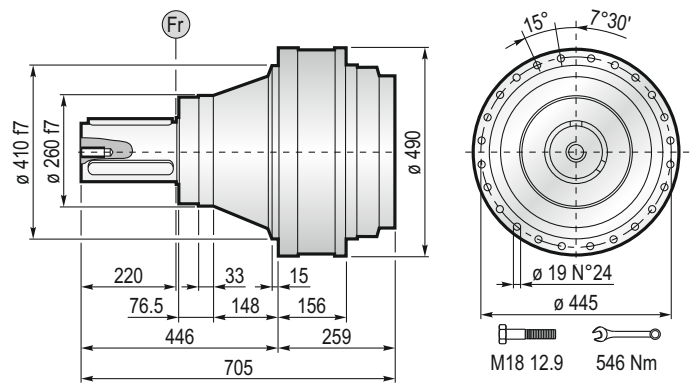


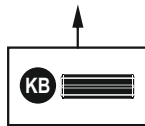
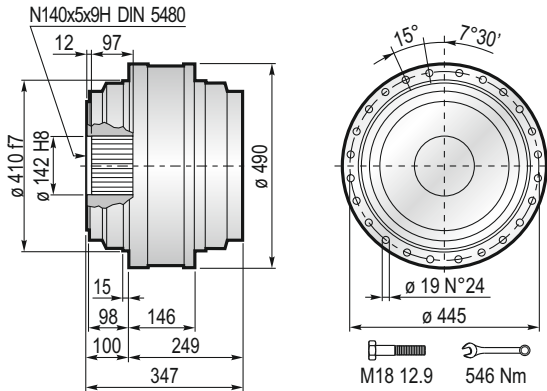
**MS...50000**



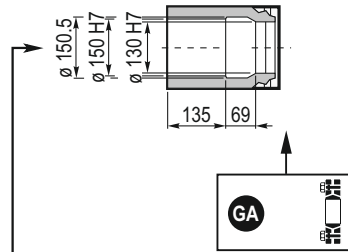
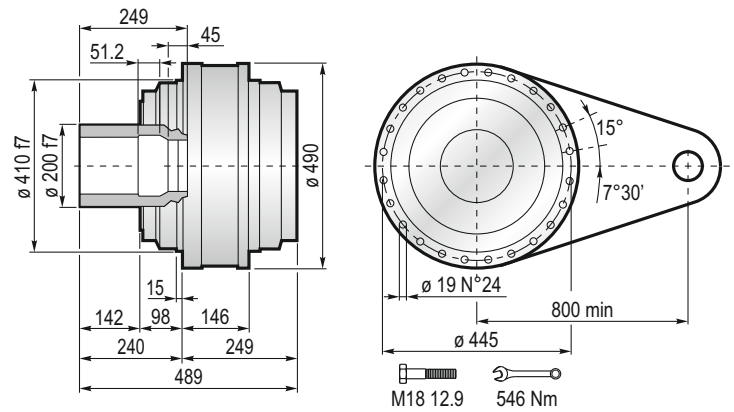
**MC...50000**



**F... 50000**

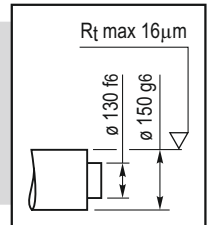


**FS... 50000**

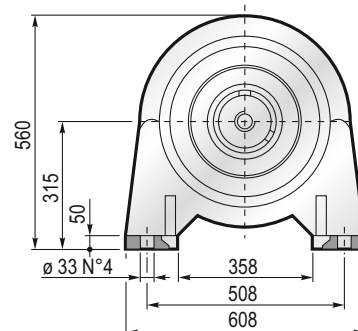
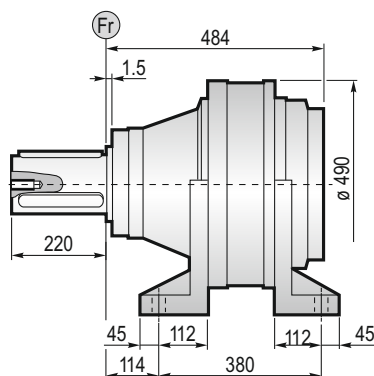


Das dargestellte, maximale Drehmoment gilt nur mit von Planetary Drives gelieferter Schrumpfscheibe  
 The maximum torque indicated is valid only with shrink discs supplied by Planetary Drives  
 Belirtilen maksimum moment sadece konik sıkırtma ile verilen Planet dişli ünitesi için geçerlidir  
 La coppia massima indicata è valida solo con calettatori forniti Planetary Drives  
 Le couple maximal indiqué n'est valable qu'avec les frettes de serrage fournies par Planetary Drives  
 El momento máximo indicado sólo es válido con discos de contracción suministrados por Planetary Drives

$M_{max} = 92.5 \text{ kNm}$



**CPC... 50000**



M30 12.9 2845 Nm

