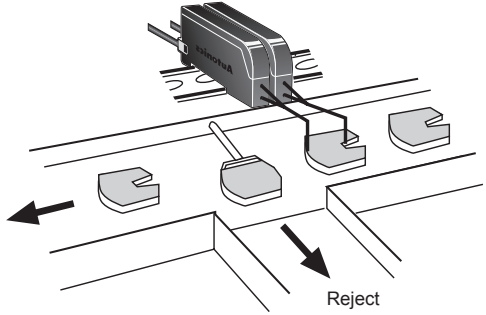
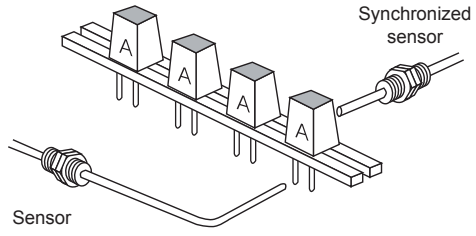
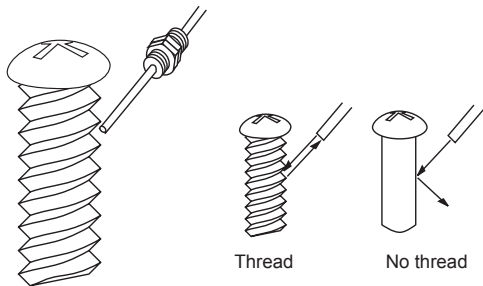
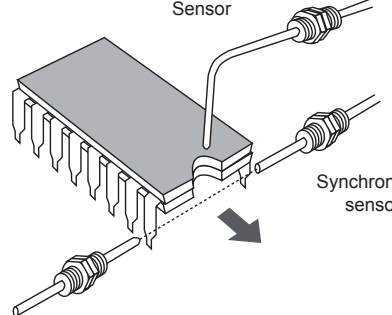
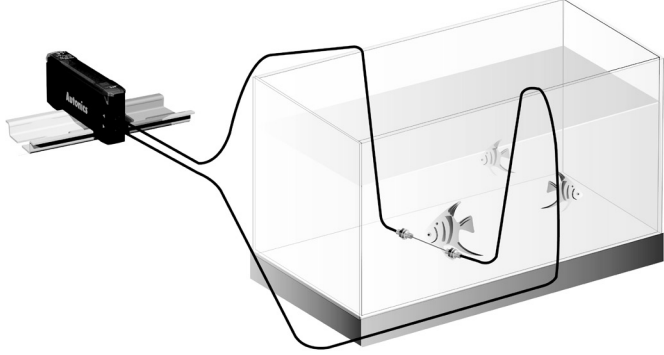


## ■ Applications

<p style="text-align: center;">Sensing form of targets</p> 	<p style="text-align: center;">Sensing components leads</p> 
<p style="text-align: center;">Sensing presence / absence of taps</p> 	<p style="text-align: center;">Sensing IC directions</p> 
<p>Available under water or in gas (except amplifier)</p>	
	

- (A) Photoelectric Sensors
- (B) Fiber Optic Sensors
- (C) Door/Area Sensors
- (D) Proximity Sensors
- (E) Pressure Sensors
- (F) Rotary Encoders
- (G) Connectors/ Sockets
- (H) Temperature Controllers
- (I) SSRs / Power Controllers
- (J) Counters
- (K) Timers
- (L) Panel Meters
- (M) Tacho / Speed / Pulse Meters
- (N) Display Units
- (O) Sensor Controllers
- (P) Switching Mode Power Supplies
- (Q) Stepper Motors & Drivers & Controllers
- (R) Graphic/ Logic Panels
- (S) Field Network Devices
- (T) Software