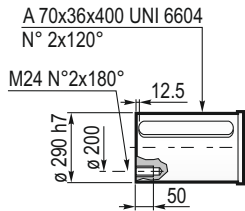
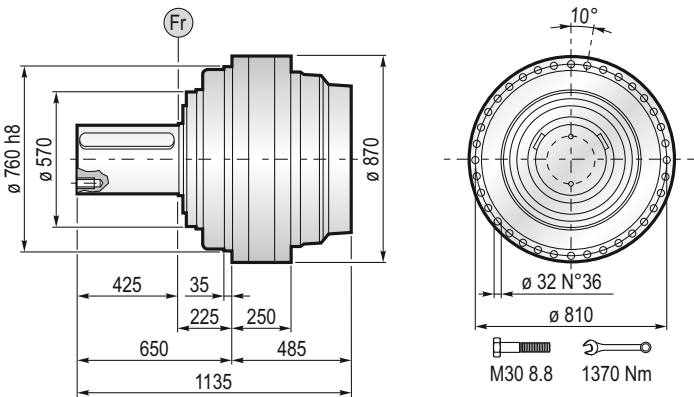
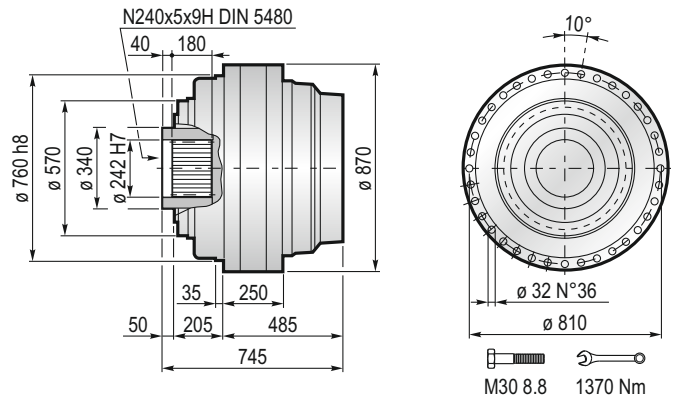


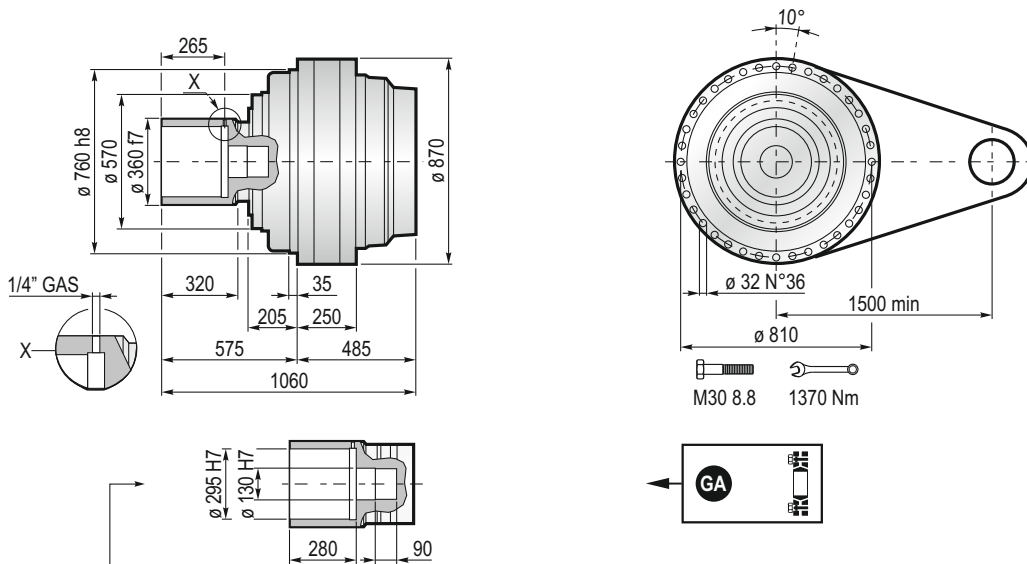
MC...340000



F... 340000

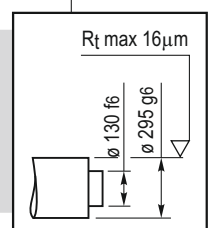


FS... 340000

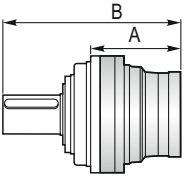


Das dargestellte, maximale Drehmoment gilt nur mit von Planetary Drives gelieferter Schrumpfscheibe
 The maximum torque indicated is valid only with shrink discs supplied by Planetary Drives
 Belirtilen maksimum moment sadece konik sıkırtma ile verilen Planet dişli ünitesi için geçerlidir
 La coppia massima indicata è valida solo con calettatori forniti Planetary Drives
 Le couple maximal indiqué n'est valable qu'avec les frettes de serrage fournis par Planetary Drives
 El momento máximo indicado sólo es válido con discos de contracción suministrados por Planetary Drives

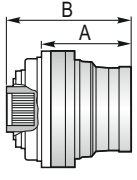
$M_{max} = 689 \text{ kNm}$



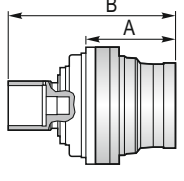
PL ...MC						
	A	B	RA	RB	EF	EDF
PL 340002	740	1390				
PL 340003	922	1572				
PL 340004	1016	1666		•		
PL 340005	1075.5	1725.5	•	○	•	



PL ...F						
	A	B	RA	RB	EF	EDF
PL 340002	740	995				
PL 340003	922	1177				
PL 340004	1016	1271		•		
PL 340005	1075.5	1330.5	•	○	•	

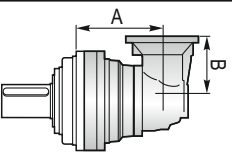


PL ...FS						
	A	B	RA	RB	EF	EDF
PL 340002	740	1315				
PL 340003	922	1497				
PL 340004	1016	1591		•		
PL 340005	1075.5	1650.5	•	○	•	

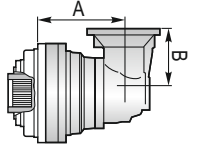


A+13.5	B+13.5	○
--------	--------	---

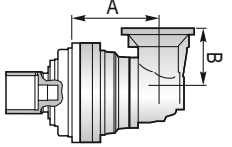
PLB ...MC					
	A	B	RA	RB	EF
PLB 340004	1002	315		•	
PLB 340005	1104	240		•	



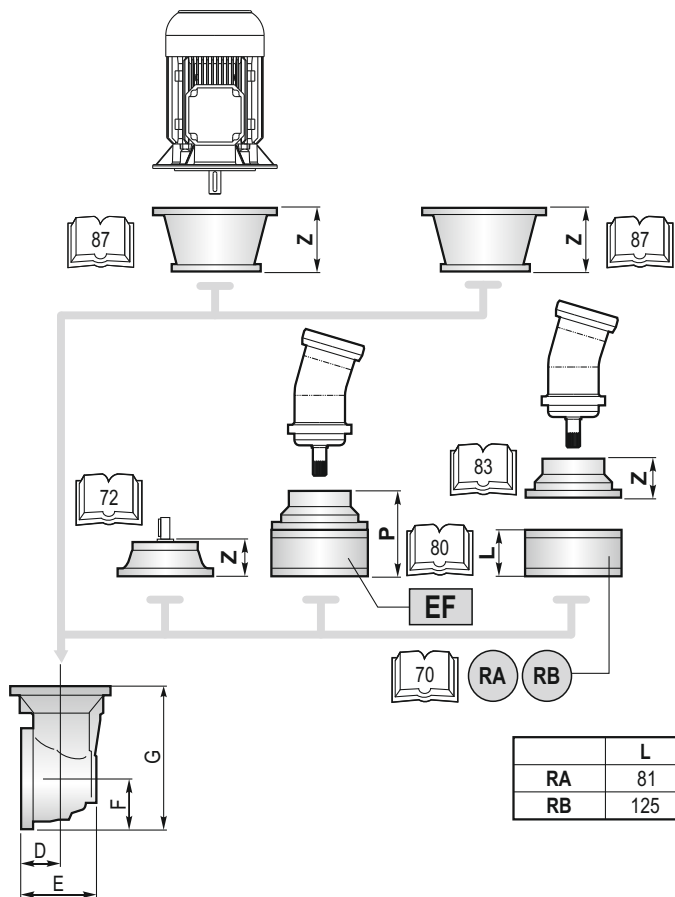
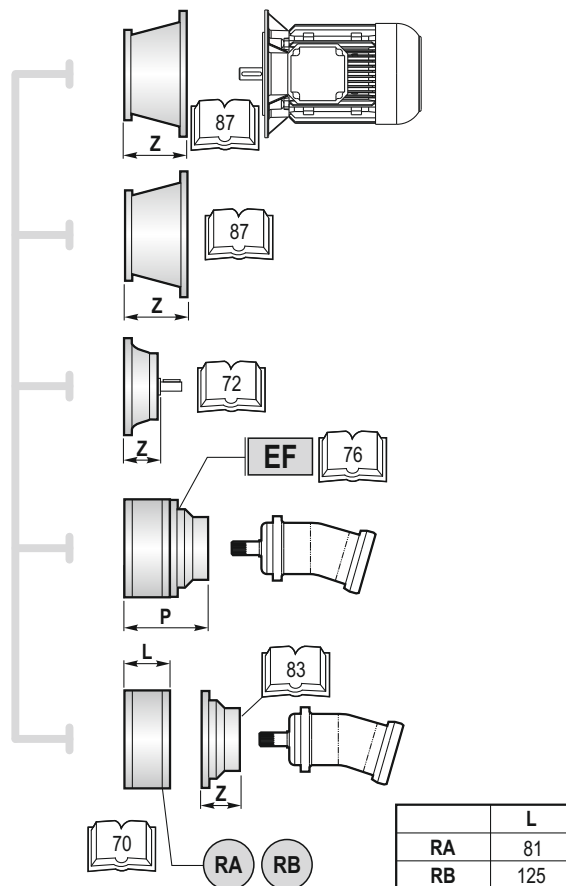
PLB ...F					
	A	B	RA	RB	EF
PLB 340004	1002	315		•	
PLB 340005	1104	240		•	



PLB ...FS					
	A	B	RA	RB	EF
PLB 340004	1002	315		•	
PLB 340005	1104	240		•	



A	B+16.5	○
---	--------	---



	D	E	F	G
PLB 340004	88	256	235	550
PLB 340005	88	164	140	380