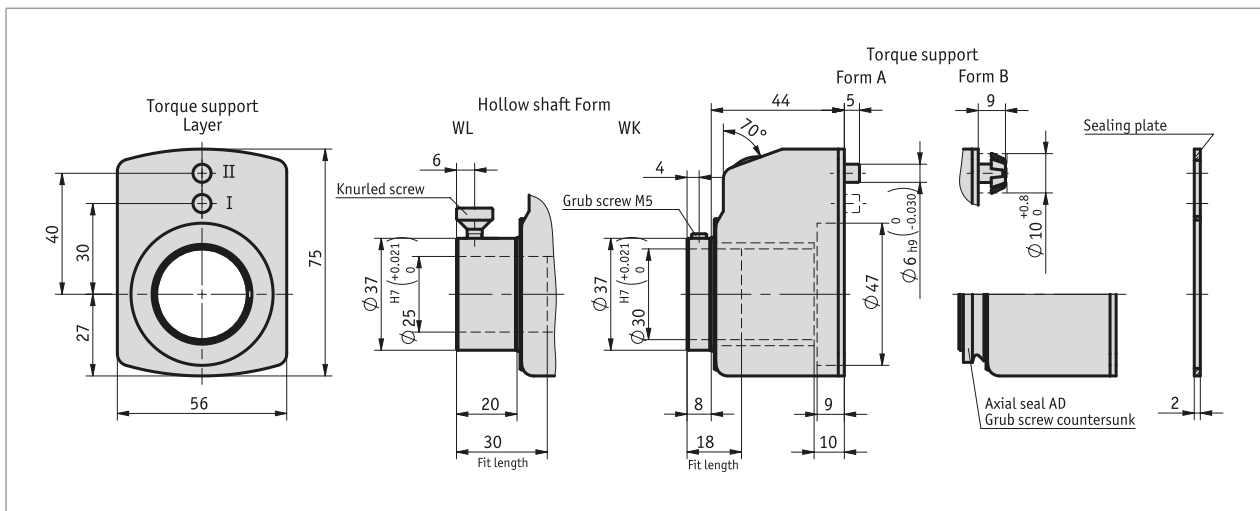


### Profile

- Designed for large diameters
- Hollow shaft, max.  $\varnothing$  30 mm
- Counter with 5 decades and fine reading
- Display can be designed for "mm" or "inch"
- Magnifying function for good readability
- Stainless-steel driving shaft as an option
- Axial seal, dustproof and splash-proof




### Mechanical data

Feature	Technical data	Additional information
Housing	reinforced plastic	
Sight window	plastic	mineral glass as an option
Counter	5 Decades with fine reading	
Digit height	~7 mm	
Weight	0.1 kg	

### ■ max. speed

Display (after 1st revolution)	max. speed [rpm]
00010	500 (1500)
00015	500 (1000)
00020	500 (750)
00025	500 (600)
00030	500
00040	375
00050	300
00060	250
00080	180
00100	150

 Speeds >500 rpm must only be run for short periods.

#### Formula:

$$\text{max. speed} = \frac{15000}{\text{indication after 1st revolution}}$$

