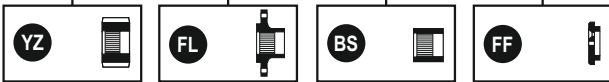
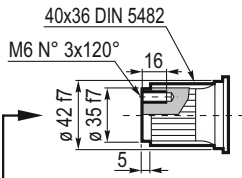
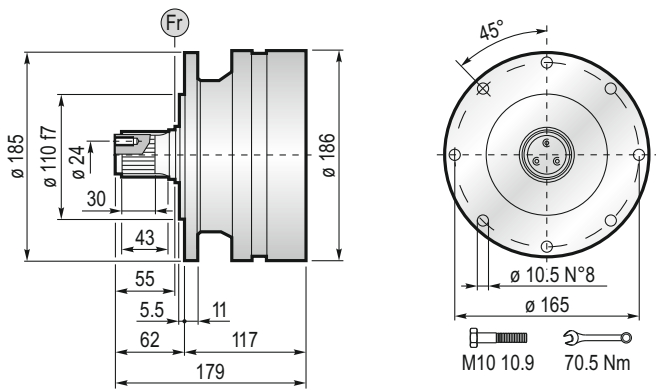
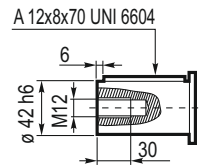
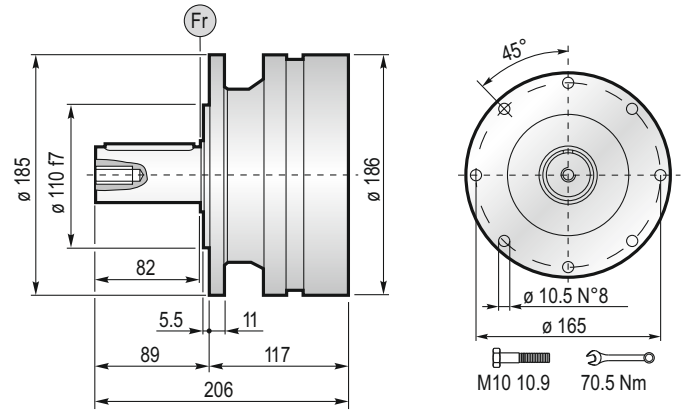


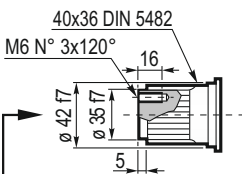
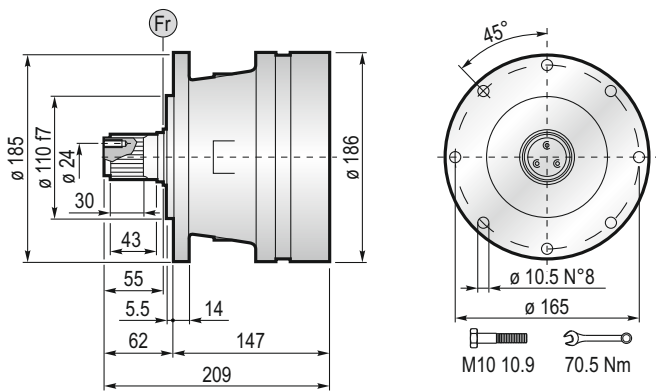
MS... 1600



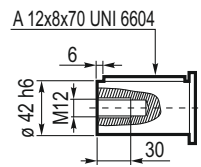
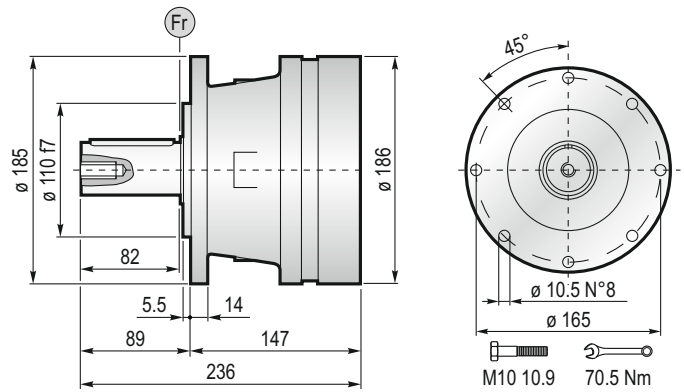
MC... 1600



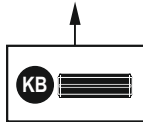
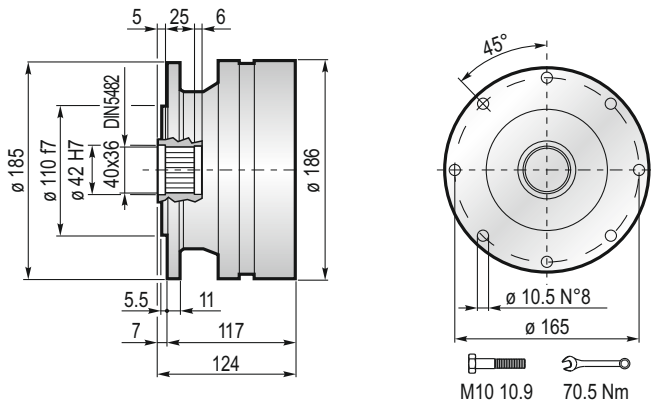
PS... 1600



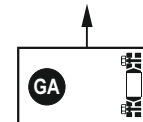
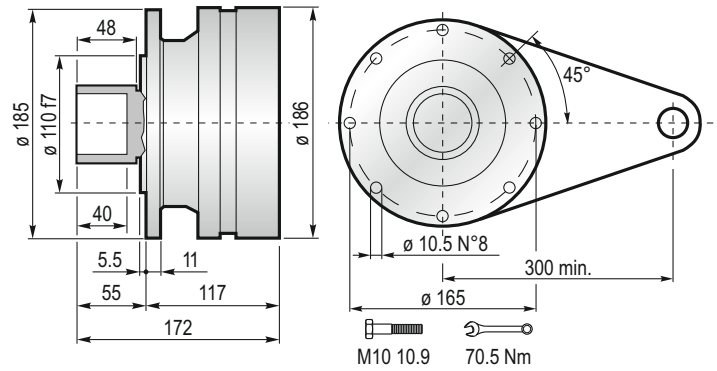
PC... 1600



F... 1600

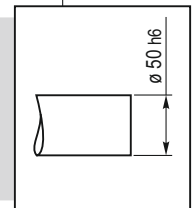


FS... 1600

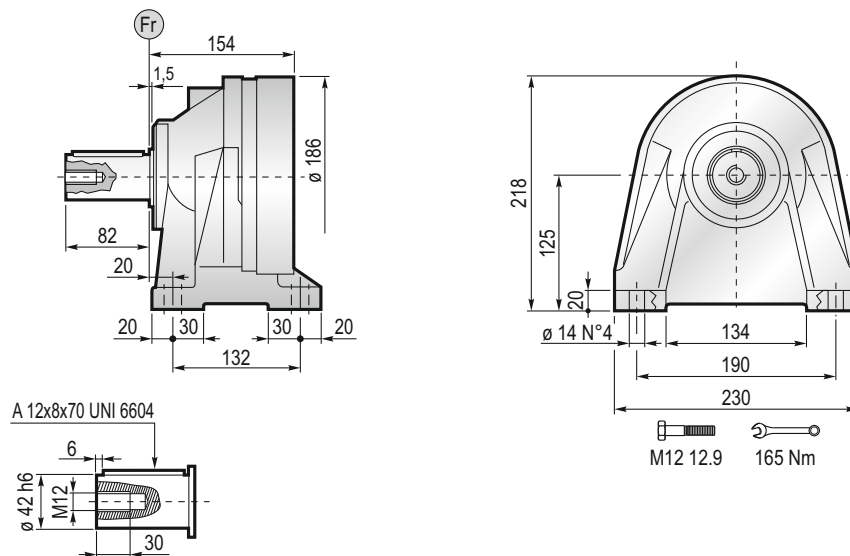


Das dargestellte, maximale Drehmoment gilt nur mit von Planetary Drives gelieferter Schrumpfscheibe
 The maximum torque indicated is valid only with shrink discs supplied by Planetary Drives
 Belirtilen maksimum moment sadece konik sıkırma ile verilen Planet dişli ünitesi için geçerlidir
 La coppia massima indicata è valida solo con calettatori forniti Planetary Drives
 Le couple maximal indiqué n'est valable qu'avec les frettes de serrage fournis par Planetary Drives
 El momento máximo indicado sólo es válido con discos de contracción suministrados por Planetary Drives

$M_{max} = 2.2 \text{ kNm}$



CPC... 1600



A 12x8x70 UNI 6604

