

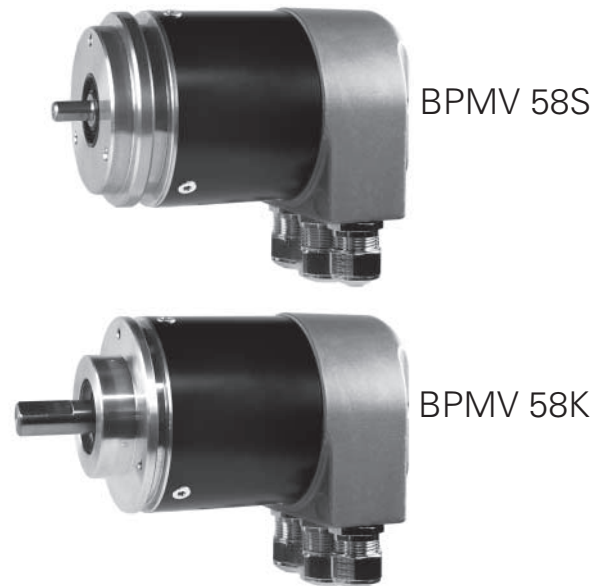
Absolute multi-turn shaft encoders

BPMV flexible – ProCoder

Profibus-DP, CANopen, DeviceNet, EtherCAT

features

- multi-turn encoders up to
 - 13 bit single-turn
 - 16 bit multi-turn
- modular bus cover
- simple mounting via servo flange
- programmable bus parameters
- programmable resolution and preset values



general data

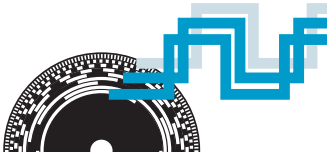
voltage supply	10 - 30 VDC with reverse polarity protection
supply current no load	max. 100 mA (at 24 VDC)
max. resolution single-turn	13 bit (1 step = 2' 38")
multi-turn	16 bit (65'536 step)
max. switching frequency	800 kHz
max. error limit	±0,05°
preset	in state data-exchange encoder can be set to a predefined position
baud rate	selectable via dip switches
address	adjustable via Jog-dial
direction of rotation	looking at the flange, position counts up as the shaft rotates clockwise (CW), programmable

mechanical data

max. revolutions	mech. 10'000 rpm electr. 6'000 rpm
moment of inertia	2 x 10 ⁻⁶ kgm ²
starting torque	≤ 0,015 Nm
max. shaft load	axial: < 20 N radial: < 40 N
product life	depending on ambient conditions (typ. 10 ⁹ revolutions)
max. protection class	IP 65
material	housing: steel bus cover: zinc die cast flange: aluminum
weight	approx. 680 g

ambient conditions

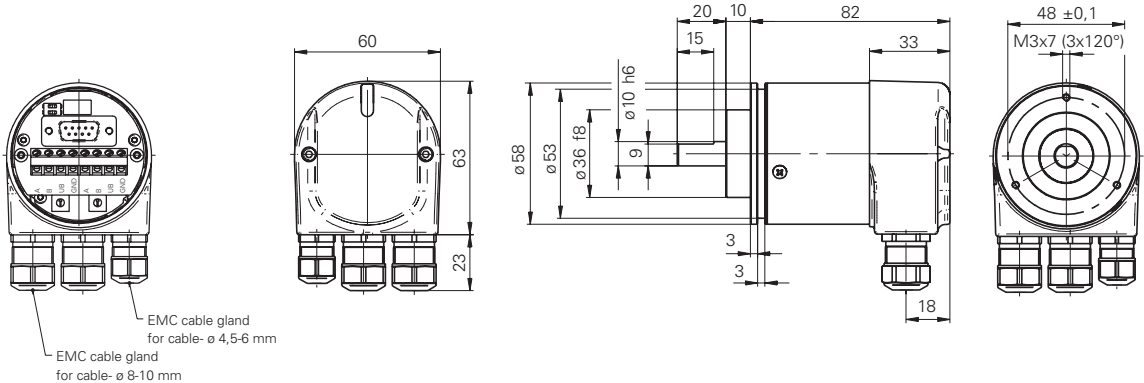
temperature range	-25...+85 °C
vibration	DIN EN 60068-2-6 (≤ 100 m/s ² / 16 - 2'000 Hz)
shock	DIN EN 60068-2-27 (≤ 2'000 m/s ² / 6 ms)
noise immunity	DIN EN 61000-6-2
emitted interference	DIN EN 61000-6-4



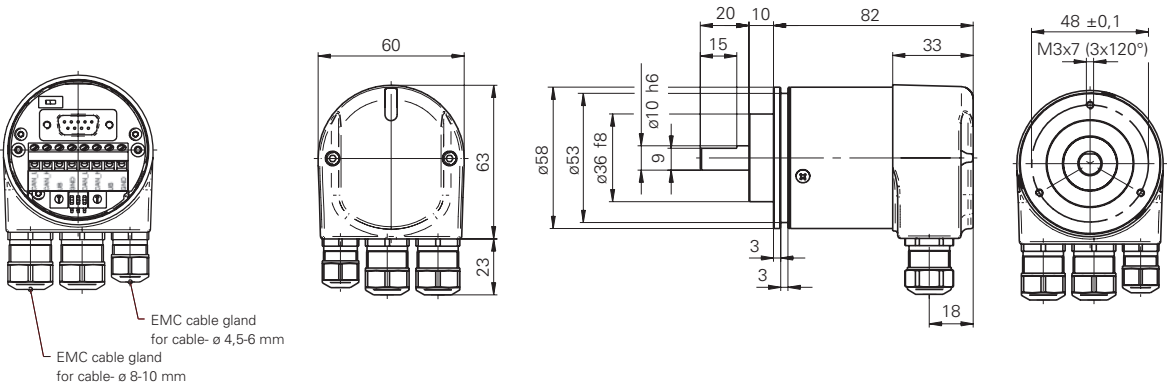
Profibus-DP, CANopen, DeviceNet, EtherCAT

dimensions

BPMV-Profibus



BPMV-CANopen



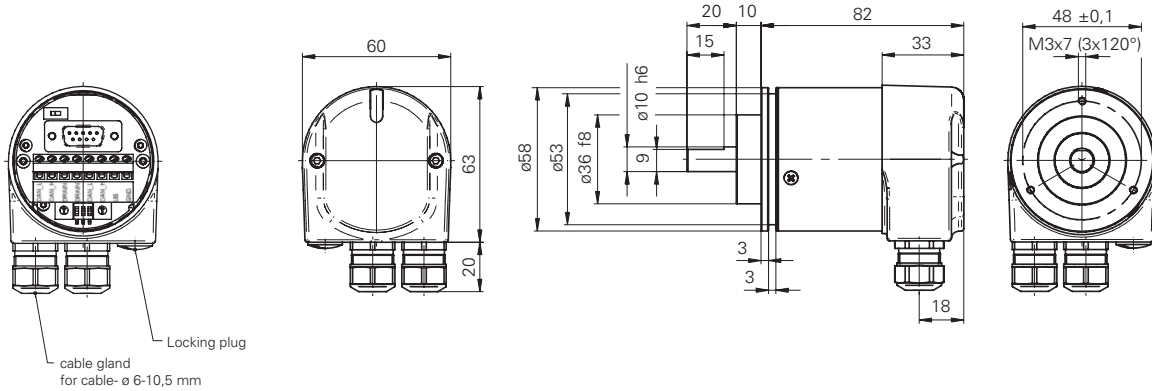
Absolute multi-turn shaft encoders

BPMV flexible – ProCoder

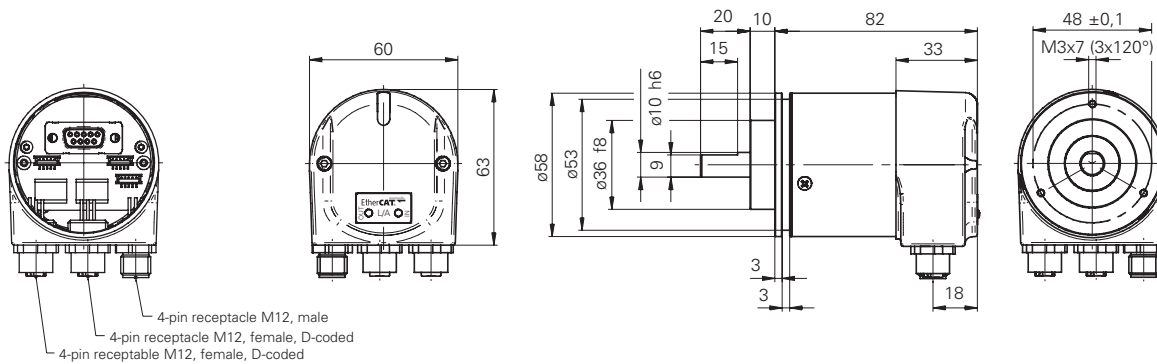
Profibus-DP, CANopen, DeviceNet, EtherCAT

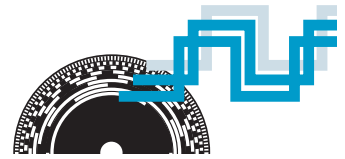
dimensions

BPMV-DeviceNet



BPMV-EtherCAT

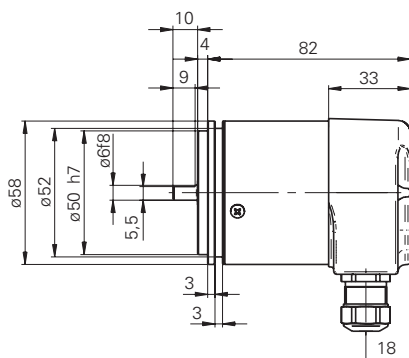




Profibus-DP, CANopen, DeviceNet, EtherCAT

dimensions

BPSV servo flange



order designation

BPMV 58 **1P24** **C13/16** **G** base encoder without bus cover
BPMV 58 **1P24** **13/16** complete encoder

connection
D bus cover with PG radial (for interface **B,D,P**)
E bus cover with connector M12 radial (for interface **E**)

shaft
C6 shaft 6 mm IP 65 (servo flange)
C0 shaft 10 mm IP 65 (clamping flange)

interface
B CANopen
D DeviceNet
P Profibus-DP
E EtherCAT

housing
S servo flange
K clamping flange

3

accessories

spring washer coupling	
hole 6 mm / 10 mm	part nr. 141132
hole 6 mm / 6 mm	part nr. 141131
hole 10 mm / 10 mm	part nr. 141133
CD-ROM with GSD-/EDS-/XML-files and manuals	part nr. 147362
bus cover for Profibus-DP	see chapter accessories
CANopen	part nr. 140831
DeviceNet	part nr. 140832
EtherCAT	part nr. 140833
	part nr. 159110
cable EtherCAT M12 male-male, d-coded M12 straight, 5 m	part nr. 160565
type BPMV 58S servo flange	
mounting	part nr. 125051
screws and servo clamps	part nr. 117668
type BPMV 58S clamping flange	
mounting bracket	part nr. 117698