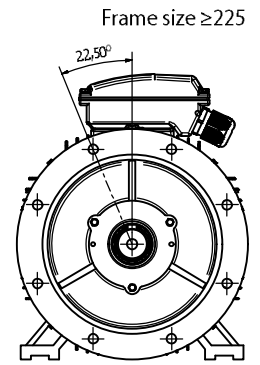
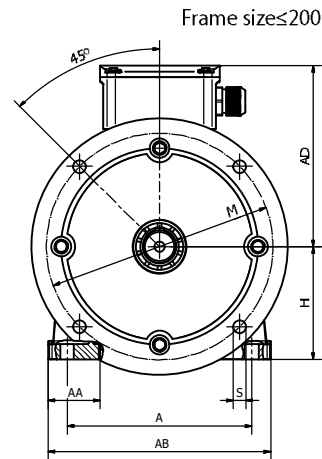
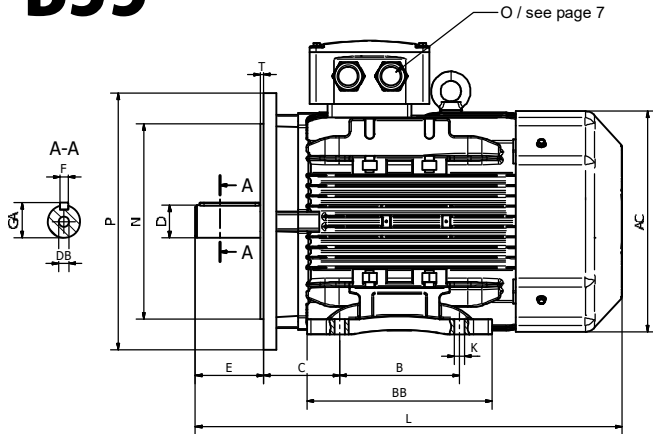


B35



| Frame size | poles | A | B | C | D | E | F | H | K | M | N | P | S | T | L | AA | AB | AC | AD | BB | GA | DB |
|----------------|-------|-----|-----|-----|-----|-----|----|-----|----|-----|-----|-----|----|-----|-------|-----|-----|-----|-----|-----|------|--------|
| Y3PE80 | 2/4/6 | 125 | 100 | 50 | 19 | 40 | 6 | 80 | 10 | 165 | 130 | 200 | 12 | 3,5 | 299 | 37 | 165 | 158 | 138 | 130 | 21,5 | M6x16 |
| Y3PE90S | 2/4/6 | 140 | 100 | 56 | 24 | 50 | 8 | 90 | 10 | 165 | 130 | 200 | 12 | 3,5 | 353 | 37 | 180 | 177 | 152 | 140 | 27,0 | M8x19 |
| Y3PE90L | 2/4/6 | 140 | 125 | 56 | 24 | 50 | 8 | 90 | 10 | 165 | 130 | 200 | 12 | 3,5 | 373 | 37 | 180 | 177 | 152 | 170 | 27,0 | M8x19 |
| Y3PE100L | 2/4/6 | 160 | 140 | 63 | 28 | 60 | 8 | 100 | 12 | 215 | 180 | 250 | 15 | 4,0 | 433 | 40 | 205 | 197 | 180 | 190 | 31,0 | M10x22 |
| Y3PE112M | 2/4/6 | 190 | 140 | 70 | 28 | 60 | 8 | 112 | 12 | 215 | 180 | 250 | 15 | 4,0 | 461 | 50 | 230 | 218 | 181 | 200 | 31,0 | M10x22 |
| Y3PE132S | 2/4/6 | 216 | 140 | 89 | 38 | 80 | 10 | 132 | 12 | 265 | 230 | 300 | 15 | 4,0 | 499 | 60 | 260 | 258 | 212 | 216 | 41,0 | M12x28 |
| Y3PE132M | 2/4/6 | 216 | 178 | 89 | 38 | 80 | 10 | 132 | 12 | 265 | 230 | 300 | 15 | 4,0 | 522 | 60 | 260 | 258 | 212 | 256 | 41,0 | M12x28 |
| Y3PE160M | 2/4/6 | 254 | 210 | 108 | 42 | 110 | 12 | 160 | 15 | 300 | 250 | 350 | 19 | 5,0 | 630 | 60 | 315 | 314 | 251 | 260 | 45,0 | M16x36 |
| Y3PE160L | 2/4/6 | 254 | 254 | 108 | 42 | 110 | 12 | 160 | 15 | 300 | 250 | 350 | 19 | 5,0 | 677 | 60 | 320 | 314 | 251 | 304 | 45,0 | M16x36 |
| Y2PE160M | 2/4/6 | 254 | 210 | 108 | 42 | 110 | 12 | 160 | 15 | 300 | 250 | 350 | 19 | 5,0 | 657 | 60 | 315 | 314 | 255 | 260 | 45,0 | M16x36 |
| Y2PE160L | 2/4/6 | 254 | 254 | 108 | 42 | 110 | 12 | 160 | 15 | 300 | 250 | 350 | 19 | 5,0 | 725 | 70 | 320 | 314 | 255 | 340 | 45,0 | M16x36 |
| Y2PE180M | 2/4/6 | 279 | 241 | 121 | 48 | 110 | 14 | 180 | 15 | 300 | 250 | 350 | 19 | 5,0 | 740 | 70 | 355 | 355 | 280 | 350 | 51,5 | M16x36 |
| Y2PE180L | 2/4/6 | 279 | 279 | 121 | 48 | 110 | 14 | 180 | 15 | 300 | 250 | 350 | 19 | 5,0 | 810 | 70 | 355 | 355 | 280 | 382 | 51,5 | M16x36 |
| Y2PE200L | 2/4/6 | 318 | 305 | 133 | 55 | 110 | 16 | 200 | 19 | 350 | 300 | 400 | 19 | 5,0 | 852 | 70 | 395 | 397 | 305 | 370 | 59,0 | M20x42 |
| Y2PE225S | 4 | 356 | 286 | 149 | 60 | 140 | 18 | 225 | 19 | 400 | 350 | 450 | 19 | 5,0 | 874 | 75 | 435 | 445 | 335 | 395 | 64,0 | M20x42 |
| Y2PE225M | 2 | 356 | 311 | 149 | 55 | 110 | 16 | 225 | 19 | 400 | 350 | 450 | 19 | 5,0 | 890 | 75 | 435 | 445 | 335 | 440 | 59,0 | M20x42 |
| | 4/6 | 356 | 311 | 149 | 60 | 140 | 18 | 225 | 19 | 400 | 350 | 450 | 19 | 5,0 | 915 | 75 | 435 | 445 | 335 | 440 | 64,0 | M20x42 |
| Y2PE250M | 2 | 406 | 349 | 168 | 60 | 140 | 18 | 250 | 24 | 500 | 450 | 550 | 19 | 5,0 | 985 | 80 | 490 | 485 | 370 | 440 | 64,0 | M20x42 |
| | 4/6 | 406 | 349 | 168 | 65 | 140 | 18 | 250 | 24 | 500 | 450 | 550 | 19 | 5,0 | 985 | 80 | 490 | 485 | 370 | 440 | 69,0 | M20x42 |
| Y22PE280SZ-NE | 2 | 457 | 368 | 190 | 65 | 140 | 18 | 280 | 24 | 500 | 450 | 550 | 19 | 5,0 | 1.045 | 85 | 550 | 547 | 410 | 480 | 69,0 | M20x42 |
| | 4/6 | 457 | 368 | 190 | 75 | 140 | 20 | 280 | 24 | 500 | 450 | 550 | 19 | 5,0 | 1.045 | 85 | 550 | 547 | 410 | 480 | 79,5 | M20x42 |
| Y22PE280MZ-NE | 2 | 457 | 419 | 190 | 65 | 140 | 18 | 280 | 24 | 500 | 450 | 550 | 19 | 5,0 | 1.095 | 85 | 550 | 547 | 410 | 536 | 69,0 | M20x42 |
| | 4/6 | 457 | 419 | 190 | 75 | 140 | 20 | 280 | 24 | 500 | 450 | 550 | 19 | 5,0 | 1.095 | 85 | 550 | 547 | 410 | 536 | 79,5 | M20x42 |
| Y2PE315SZ-NE | 2 | 508 | 406 | 216 | 65 | 140 | 18 | 315 | 28 | 600 | 550 | 660 | 24 | 6,0 | 1.185 | 120 | 635 | 620 | 530 | 570 | 69,0 | M20x42 |
| | 4/6 | 508 | 406 | 216 | 80 | 170 | 22 | 315 | 28 | 600 | 550 | 660 | 24 | 6,0 | 1.220 | 120 | 635 | 620 | 530 | 570 | 85,0 | M20x42 |
| Y2PE315MZ-NE | 2 | 508 | 457 | 216 | 65 | 140 | 18 | 315 | 28 | 600 | 550 | 660 | 24 | 6,0 | 1.290 | 120 | 635 | 620 | 530 | 680 | 69,0 | M20x42 |
| | 4/6 | 508 | 457 | 216 | 80 | 170 | 22 | 315 | 28 | 600 | 550 | 660 | 24 | 6,0 | 1.325 | 120 | 635 | 620 | 530 | 680 | 85,0 | M20x42 |
| Y2PE315LZ-NE | 2 | 508 | 508 | 216 | 65 | 140 | 18 | 315 | 28 | 600 | 550 | 660 | 24 | 6,0 | 1.290 | 120 | 635 | 620 | 530 | 680 | 69,0 | M20x42 |
| | 4/6 | 508 | 508 | 216 | 80 | 170 | 22 | 315 | 28 | 600 | 550 | 660 | 24 | 6,0 | 1.325 | 120 | 635 | 620 | 530 | 680 | 85,0 | M20x42 |
| Y2PE355MZ-NE | 2 | 610 | 560 | 254 | 75 | 140 | 20 | 355 | 28 | 740 | 680 | 800 | 24 | 6,0 | 1.500 | 116 | 735 | 698 | 655 | 760 | 79,5 | M20x42 |
| | 4/6 | 610 | 560 | 254 | 95 | 170 | 25 | 355 | 28 | 740 | 680 | 800 | 24 | 6,0 | 1.530 | 116 | 735 | 698 | 655 | 760 | 100 | M20x42 |
| Y2PE355MZ-SWNE | 4/6 | 610 | 560 | 254 | 100 | 210 | 28 | 355 | 28 | 740 | 680 | 800 | 24 | 6,0 | 1.570 | 116 | 735 | 698 | 655 | 760 | 106 | M24x56 |
| | 2 | 610 | 630 | 254 | 75 | 140 | 20 | 355 | 28 | 740 | 680 | 800 | 24 | 6,0 | 1.500 | 116 | 740 | 698 | 655 | 760 | 79,5 | M20x42 |
| Y2PE355LZ-NE | 4/6 | 610 | 630 | 254 | 95 | 170 | 25 | 355 | 28 | 740 | 680 | 800 | 24 | 6,0 | 1.530 | 116 | 740 | 698 | 655 | 760 | 100 | M20x42 |
| | 2 | 610 | 630 | 254 | 100 | 210 | 28 | 355 | 28 | 740 | 680 | 800 | 24 | 6,0 | 1.570 | 116 | 740 | 698 | 655 | 760 | 106 | M24x56 |