



Sd = 250 mm

- Teach-in
- small blind range
- two separate outputs



general data

special type	2 point proximity switch
sensing range sd	30 ... 250 mm
scanning range far limit Sde	30 ... 250 mm
hysteresis typ.	5% Sde
repeatability	< 0,5 mm
temperature drift	< 2% Sde
adjustment	Teach-in
response time ton	< 20 ms
release time toff	< 20 ms
alignment aid	target display flashing
sonic frequency	300 kHz
output indicator	green / yellow LED

electrical data

voltage supply range +Vs	12 ... 30 VDC
current consumption max.	40 mA
output circuit	PNP make function (NO)
output current	< 200 mA
voltage drop Vd	< 2 VDC
residual ripple	< 10% Vs
short circuit protection	yes
reverse polarity protection	yes

mechanical data

type	rectangular
housing material	polyester / die-cast zinc
width / diameter	30 mm
height / length	65 mm
depth	31 mm

ambient conditions

operating temperature	-10 ... +60 °C
protection class	IP 67

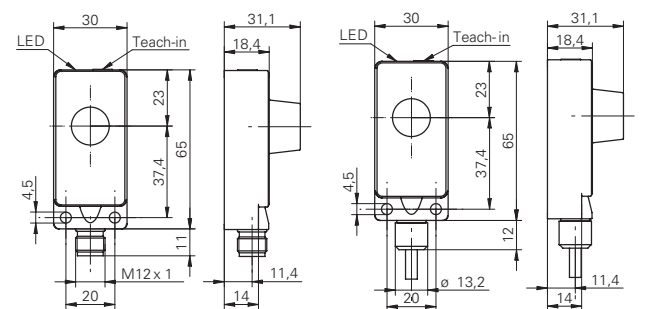
accessories

connectors	ES 14, ESW 33A, ESG 34A
------------	-------------------------

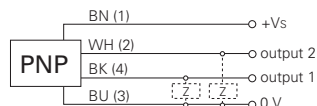
order reference

UZDK 30P6113	cable
UZDK 30P6113/S14	connector M12

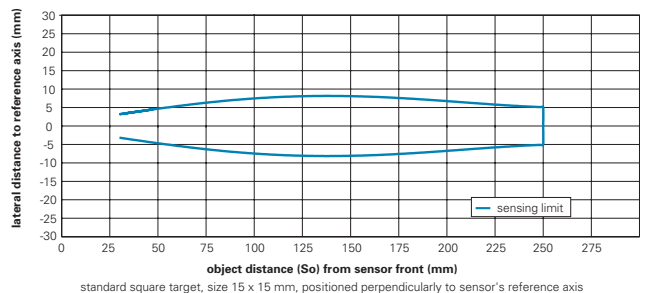
dimension drawings



connection diagram

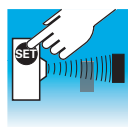


typical sonic cone profile



UZDK 30 Sd = 250 mm

Ultrasonic 2 point proximity switches



Sd = 400 mm

- Teach-in
- two separate outputs



general data

special type	2 point proximity switch
sensing range sd	60 ... 400 mm
scanning range far limit Sde	60 ... 400 mm
hysteresis typ.	4% Sde
repeatability	< 0,5 mm
temperature drift	< 2% Sde
adjustment	Teach-in
response time ton	< 30 ms
release time toff	< 30 ms
alignment aid	target display flashing
sonic frequency	400 kHz
output indicator	green / yellow LED

electrical data

voltage supply range +Vs	12 ... 30 VDC
current consumption max.	40 mA
output current	< 200 mA
voltage drop Vd	< 2 VDC
residual ripple	< 10% Vs
short circuit protection	yes
reverse polarity protection	yes

mechanical data

type	rectangular
housing material	polyester / die-cast zinc
width / diameter	30 mm
height / length	65 mm
depth	31 mm

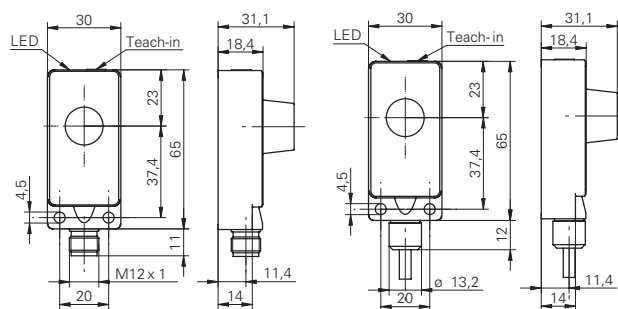
ambient conditions

operating temperature	-10 ... +60 °C
protection class	IP 67

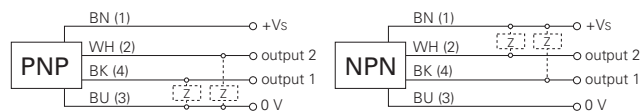
accessories

connectors	ES 14, ESW 33A, ESG 34A
------------	-------------------------

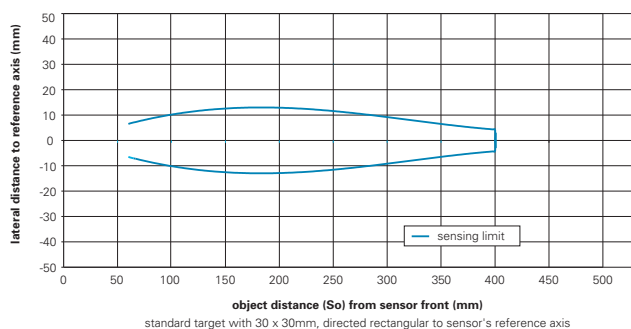
dimension drawings



connection diagrams



typical sonic cone profile



order reference	output circuit	connection types
UZDK 30N6112/S14	NPN make function (NO)	connector M12
UZDK 30P6112	PNP make function (NO)	cable
UZDK 30P6112/S14	PNP make function (NO)	connector M12



Sd = 1000 mm

- Teach-in
- two separate outputs



general data

special type	2 point proximity switch
sensing range sd	100 ... 1000 mm
scanning range far limit Sde	100 ... 1000 mm
hysteresis typ.	4% Sde
repeatability	< 0,5 mm
temperature drift	< 2% Sde
adjustment	Teach-in
response time ton	< 40 ms
release time toff	< 40 ms
alignment aid	target display flashing
sonic frequency	240 kHz
output indicator	green / yellow LED

electrical data

voltage supply range +Vs	12 ... 30 VDC
current consumption max.	40 mA
output circuit	PNP make function (NO)
output current	< 200 mA
voltage drop Vd	< 2 VDC
residual ripple	< 10% Vs
short circuit protection	yes
reverse polarity protection	yes

mechanical data

type	rectangular
housing material	polyester / die-cast zinc
width / diameter	30 mm
height / length	65 mm
depth	31 mm

ambient conditions

operating temperature	-10 ... +60 °C
protection class	IP 67

accessories

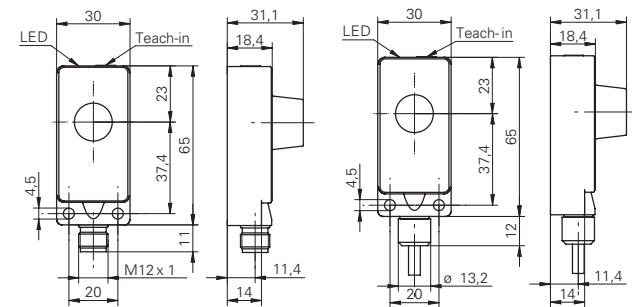
connectors	ES 14, ESW 33A, ESG 34A
------------	-------------------------

order reference

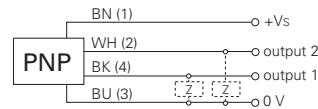
UZDK 30P6103	cable
UZDK 30P6103/S14	connector M12

connection types

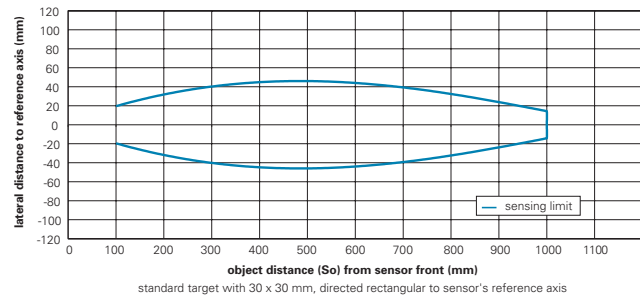
dimension drawings

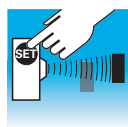


connection diagram



typical sonic cone profile





Sd = 2000 mm

- Teach-in
- two separate outputs

general data

special type	2 point proximity switch
sensing range sd	200 ... 2000 mm
scanning range far limit Sde	200 ... 2000 mm
hysteresis typ.	4% Sde
repeatability	< 1 mm
temperature drift	< 2% Sde
adjustment	Teach-in
response time ton	< 80 ms
release time toff	< 80 ms
alignment aid	target display flashing
sonic frequency	200 kHz
output indicator	green / yellow LED

electrical data

voltage supply range +Vs	12 ... 30 VDC
current consumption max.	40 mA
output circuit	PNP make function (NO)
output current	< 200 mA
voltage drop Vd	< 2 VDC
residual ripple	< 10% Vs
short circuit protection	yes
reverse polarity protection	yes

mechanical data

type	rectangular
housing material	polyester / die-cast zinc
width / diameter	30 mm
height / length	65 mm
depth	31 mm

ambient conditions

operating temperature	-10 ... +60 °C
protection class	IP 67

accessories

connectors	ES 14, ESW 33A, ESG 34A
------------	-------------------------

order reference

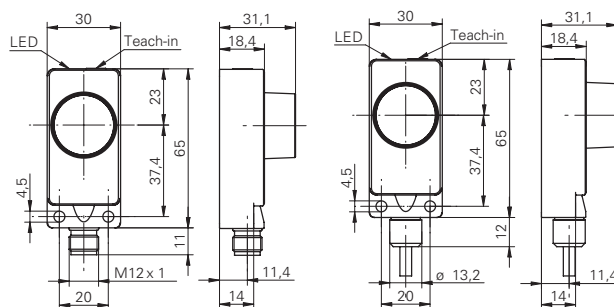
UZDK 30P6104
UZDK 30P6104/S14

connection types

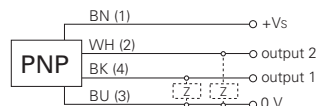
cable
connector M12



dimension drawings



connection diagram



typical sonic cone profile

