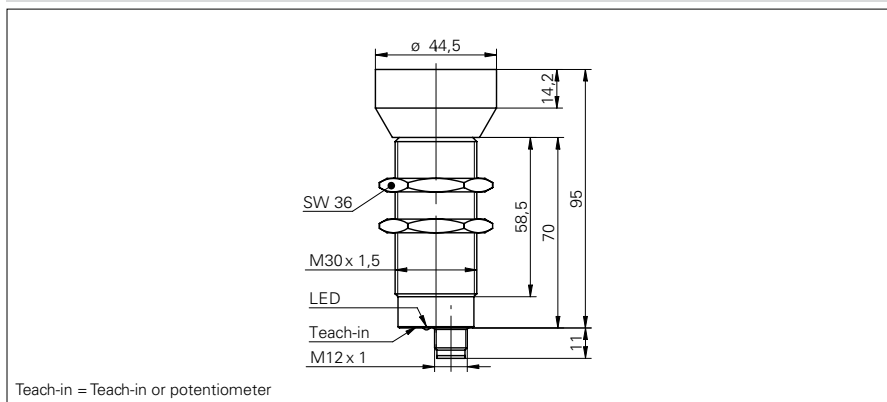


Ultrasonic retro-reflective sensors

URAM 50

sample drawing



general data

scanning range sd	0 ... 3000 mm
reflector position Sde	600 ... 3000 mm
adjusting range reflector (operating range)	$\pm 4 \% Sde$
adjusting range reflector (limit range)	$\pm 6 \% Sde$
repeat accuracy	< 3 mm
alignment aid	target indication flashing
synchronization	yes
multiplex version	on request
response time ton	< 160 ms
release time toff	< 160 ms
sonic frequency	120 kHz
output indicator	LED green

electrical data

voltage supply range +Vs	12 ... 30 VDC
current consumption max.	35 mA
output current	< 200 mA
voltage drop Vd	< 2 VDC
residual ripple	< 10 % Vs
short circuit protection	yes
reverse polarity protection	yes

mechanical data

type	cylindrical
housing material	brass nickel plated
width / diameter	30 mm
height / length	95 mm

ambient conditions

operating temperature	-10 ... +60 °C
protection class	IP 67

sample picture



Ultrasonic retro-reflective sensors

URAM 50

order reference	adjustment	output circuit	temperature drift	connection types
URAM 50N1721	potentiometer	NPN make function (NO)	< 0,18 % Sde/K	cable, 2 m
URAM 50N1721/S14	potentiometer	NPN make function (NO)	< 0,18 % Sde/K	connector M12
URAM 50N3721	potentiometer	NPN break function (NC)	< 0,18 % Sde/K	cable, 2 m
URAM 50N3721/S14	potentiometer	NPN break function (NC)	< 0,18 % Sde/K	connector M12
URAM 50P1721	potentiometer	PNP make function (NO)	< 0,18 % Sde/K	cable, 2 m
URAM 50P1721/S14	potentiometer	PNP make function (NO)	< 0,18 % Sde/K	connector M12
URAM 50P3721	potentiometer	PNP break function (NC)	< 0,18 % Sde/K	cable, 2 m
URAM 50P3721/S14	potentiometer	PNP break function (NC)	< 0,18 % Sde/K	connector M12
URAM 50P6121	Teach-in	PNP make function (NO)	< 2 % Sde	cable, 2 m
URAM 50P6121/S14	Teach-in	PNP make function (NO)	< 2 % Sde	connector M12
URAM 50P7121	Teach-in	PNP break function (NC)	< 2 % Sde	cable, 2 m
URAM 50P7121/S14	Teach-in	PNP break function (NC)	< 2 % Sde	connector M12