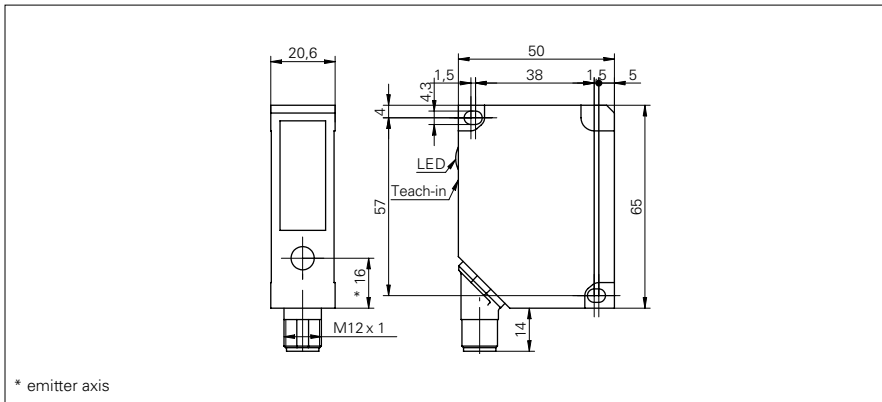


Diffuse sensors with background suppression

OHDM 20P6990/S14C

dimension drawing



general data

type	background suppression
light source	pulsed red laser diode
sensing distance Tw	210 ... 1500 mm
sensing range Tb (at Tw max.)	200 ... 1500 mm
sensing range Tb (at Tw min.)	200 ... 210 mm
light indicator	LED red
power on indication	LED green
sensing distance adjustment	Teach-in
laser class	2
wave length	650 nm
beam diameter	2 mm

electrical data

response time	< 6 ms
release time	< 18 ms
voltage supply range +Vs	12 ... 28 VDC
current consumption max.	100 mA
voltage drop Vd	< 5 VDC
output function	light / dark operate
output circuit	PNP
output current	< 20 mA
short circuit protection	yes
reverse polarity protection	yes, Vs to GND

mechanical data

width / diameter	20,6 mm
height / length	65 mm
depth	50 mm
type	rectangular
housing material	die-cast zinc
front (optics)	glass
connection types	connector M12 5 pin

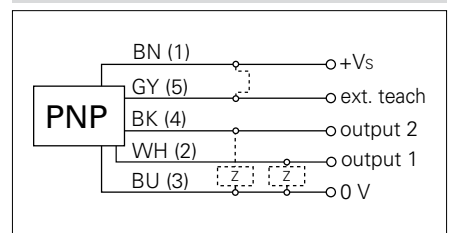
ambient conditions

operating temperature	0 ... +50 °C
protection class	IP 67

photo



connection diagram



laser warning

