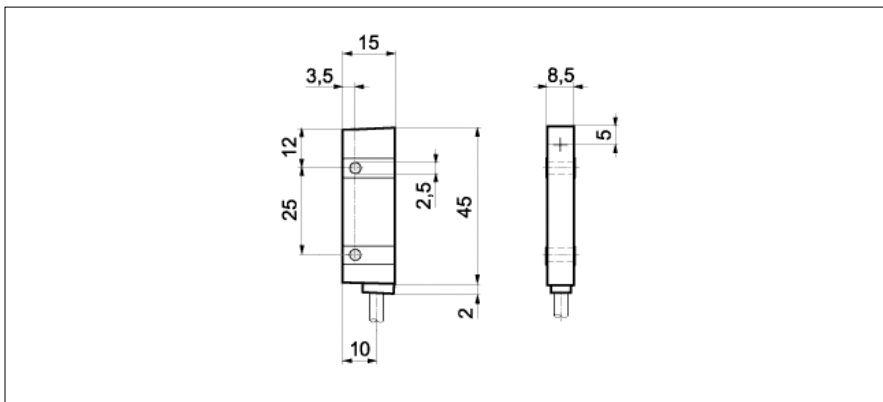


Magnetic sensors

MDFK 08 (3 channels)

sample drawing



sample picture



electrical data

current consumption max.	30 mA
short circuit protection	yes

mechanical data

type	rectangular
housing material	PC
dimension	15 mm
housing length	45 mm

ambient conditions

operating temperature	-25 ... +85 °C
protection class	IP 67

order reference	air gap	pulse/revolution	voltage supply range +Vs	interpolation	switching frequency	output signal	output circuit
MDFK 08G8124	< 0,5 mm	512 pulses ring magnet 32 pole-pairs	8 ... 28 VDC	16 times	< 3200 kHz	CH A/B/N	3 channel push-pull
MDFK 08T8101	< 0,8 mm	320 pulses ring magnet 16 pole-pairs	4,75 ... 5,25 VDC	10 times	< 160 kHz	CH A/B/N + inverted	3 channel complementary RS 422