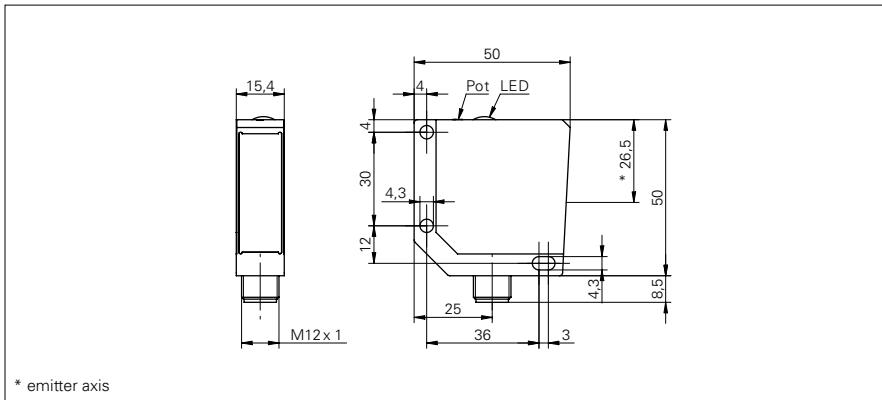


Diffuse sensors with intensity difference

FZDM 16

sample drawing



general data

type	intensity difference
light source	pulsed infrared diode
sensing distance Tw	0 ... 400 mm
alignment / soiled lens indicator	flashing light indicator
light indicator	LED yellow
sensitivity adjustment	potentiometer, 270°
wave length	880 nm
suppression of reciprocal influence	yes

electrical data

response time / release time	< 1 ms
voltage supply range +Vs	10 ... 30 VDC
current consumption max.	41 mA
current consumption typ.	29 mA
voltage drop Vd	< 1,8 VDC
output function	light / dark operate
output current	< 200 mA
short circuit protection	yes
reverse polarity protection	yes

mechanical data

width / diameter	15,4 mm
height / length	50 mm
depth	50 mm
type	rectangular
housing material	die-cast zinc
front (optics)	PMMA

ambient conditions

operating temperature	-25 ... +65 °C
protection class	IP 67

order reference	connection types	output circuit
FZDM 16N5101	cable 4 pin, 2 m	NPN
FZDM 16N5101/S14	connector M12 4 pin	NPN
FZDM 16P5101	cable 4 pin, 2 m	PNP
FZDM 16P5101/S14	connector M12 4 pin	PNP

sample picture

