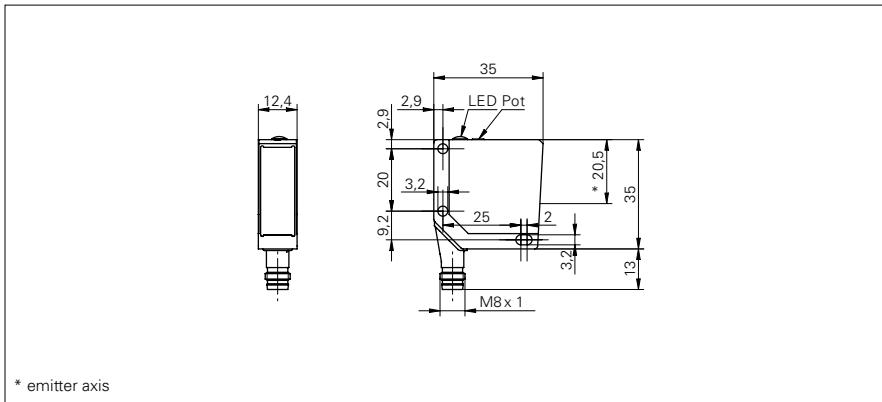


Diffuse sensors with intensity difference

FZDM 12

sample drawing



general data

type	intensity difference
light source	pulsed infrared diode
sensing distance Tw	30 ... 250 mm
alignment / soiled lens indicator	flashing light indicator
light indicator	LED yellow
sensitivity adjustment	potentiometer, 5 turn
wave length	880 nm

electrical data

response time / release time	< 1 ms
voltage supply range +Vs	10 ... 30 VDC
current consumption max.	35 mA
current consumption typ.	25 mA
voltage drop Vd	< 1,8 VDC
output function	light / dark operate
output current	< 100 mA
short circuit protection	yes
reverse polarity protection	yes

mechanical data

width / diameter	12,4 mm
height / length	35 mm
depth	35 mm
type	rectangular
housing material	die-cast zinc
front (optics)	PMMA

ambient conditions

operating temperature	-25 ... +65 °C
protection class	IP 67

order reference	connection types	output circuit
FZDM 12N5101	cable 4 pin, 2 m	NPN
FZDM 12N5101/S35A	connector M8 4 pin	NPN
FZDM 12P5101	cable 4 pin, 2 m	PNP
FZDM 12P5101/S35A	connector M8 4 pin	PNP

sample picture

