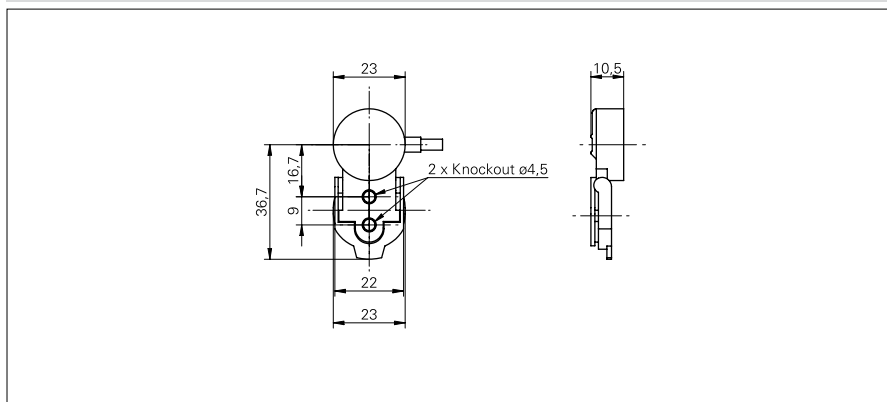


Liquid level and leakage sensors

FODK 23

sample drawing



general data

type	Leakage sensor
light source	pulsed red LED
output indicator	LED orange
light indicator	LED green
sensitivity adjustment	no
wave length	875 nm

electrical data

response time / release time	< 1 ms
voltage supply range +Vs	12 ... 24 VDC
current consumption max.	30 mA
voltage drop Vd	< 1 VDC
output function	normally closed (NC)
output circuit	PNP
output current	< 50 mA
short circuit protection	yes
reverse polarity protection	yes

mechanical data

width / diameter	23 mm
height / length	10,5 mm
depth	37,2 mm
type	rectangular
material (sensing device)	teflon PFA
connection types	cable 3 pin, 2 m

ambient conditions

operating temperature	-25 ... +50 °C
protection class	IP 67

order reference

FODK 23P90Y0
FODK 23P90Y5

housing material

teflon PFA / PVC
 teflon PFA

sample picture

