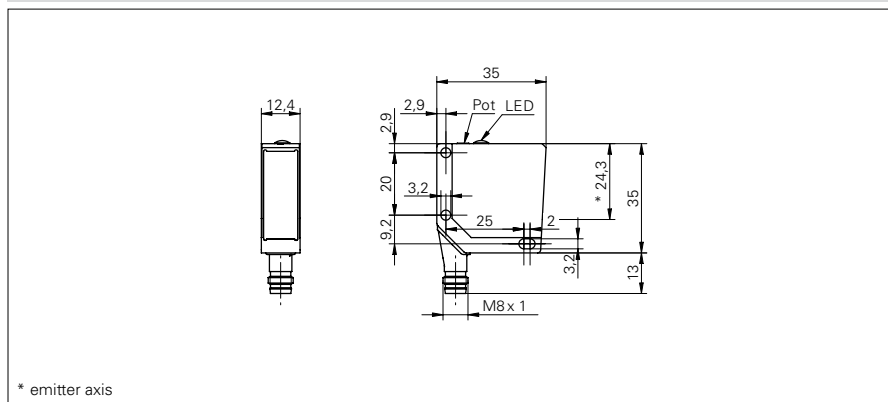


## Diffuse sensors with background suppression

FHDM 12

### sample drawing



\* emitter axis

### general data

type	background suppression
light source	pulsed red LED
sensing distance $T_w$	15 ... 300 mm
sensing range $T_b$ (at $T_w$ max.)	15 ... 300 mm
sensing range $T_b$ (at $T_w$ min.)	5 ... 15 mm
light indicator	LED yellow
sensing distance adjustment	mechanical, 5 turn
wave length	660 nm
suppression of reciprocal influence	yes

### electrical data

response time / release time	< 1 ms
voltage supply range +Vs	10 ... 30 VDC
current consumption max.	35 mA
current consumption typ.	25 mA
voltage drop $V_d$	< 1,8 VDC
output function	light / dark operate
output current	< 100 mA
short circuit protection	yes
reverse polarity protection	yes

### mechanical data

width / diameter	12,4 mm
height / length	35 mm
depth	35 mm
type	rectangular
housing material	die-cast zinc
front (optics)	PMMA

### ambient conditions

operating temperature	-25 ... +65 °C
protection class	IP 67

### sample picture



**Diffuse sensors with  
background suppression****FHDM 12**

<b>order reference</b>	<b>connection types</b>	<b>output circuit</b>
<b>FHDM 12N5001</b>	cable 4 pin, 2 m	NPN
<b>FHDM 12N5001/S35A</b>	connector M8 4 pin	NPN
<b>FHDM 12P5001</b>	cable 4 pin, 2 m	PNP
<b>FHDM 12P5001/S35A</b>	connector M8 4 pin	PNP