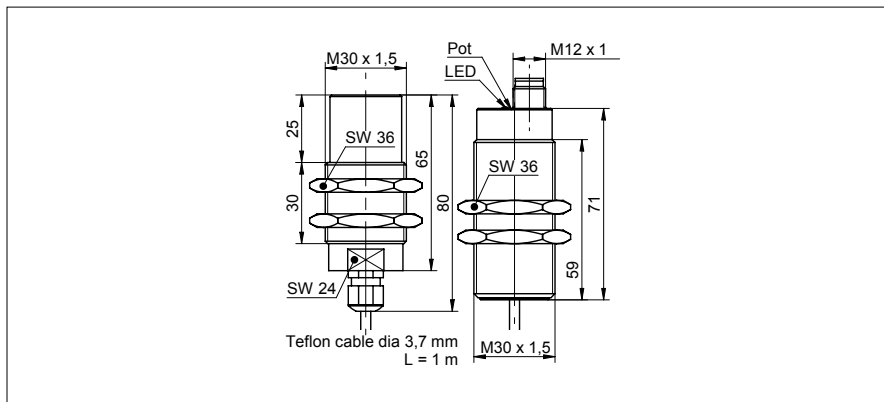


Capacitive proximity sensors

CFAH 30P1200/S14

dimension drawing



general data

special type	sensor for high temperatures
mounting type	unshielded
nominal sensing distance S_n	15 mm
nominal sensing distance S_n adjustable	4 ... 15 mm
temperature drift	0,02 mm/°C
sensitivity adjustment	potentiometer
output indicator	LED

electrical data

voltage supply range +Vs	10 ... 35 VDC
current consumption max.	15 mA
output circuit	PNP make function (NO)
output current	< 200 mA
voltage drop Vd	< 2,5 VDC
switching frequency	< 50 Hz
short circuit protection	yes
reverse polarity protection	yes

mechanical data

type	cylindrical threaded
housing material	V2A/PTFE
dimension	30 mm
housing length	65 mm
connection types	connector M12

ambient conditions

operating temperature	-40 ... +200 °C
protection class	IP 67

photo



connection diagram

